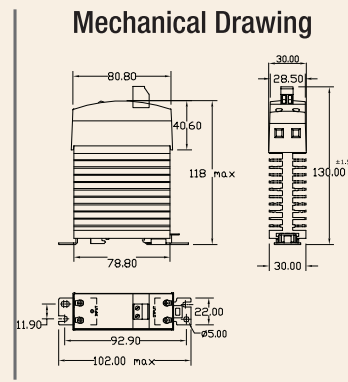
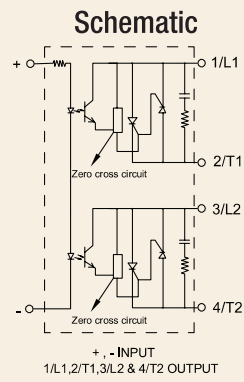
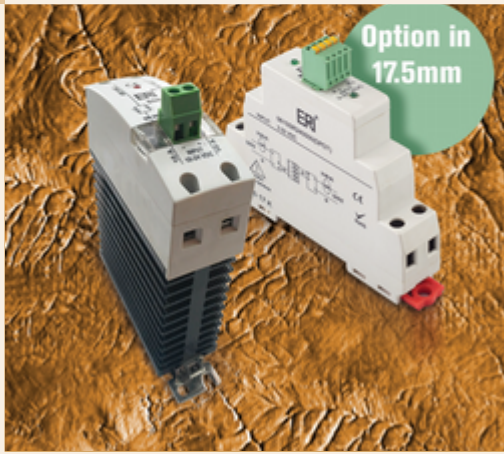


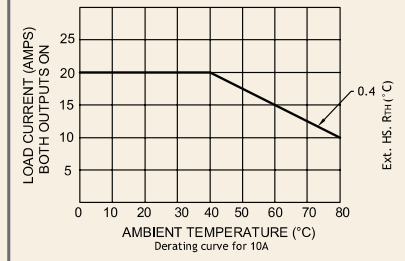
Series: DIN 30 Dual Output

**Dual O/P SSR (480VAC)
10Amps**

INPUT : DC Control
OUTPUT : Back to Back SCR



Derating Curve



Salient Features

- Input control: Single/Dual • Output connections: Screws/Fasten Tabs • Opto Isolation 4000 VAC
- Zero Voltage/Random Turn On • Reverse Voltage Protection • TTL Compatible (Sink Mode) • Output NO Configuration
- Built - In Snubber • Panel/DIN Mountable

ELECTRICAL SPECIFICATION @ TA = 25°C			NOTE: FOR RANDOM T-ON SSR, ADD LETTER 'K' IN PLACE OF 'J'
PARAMETER	SYMBOL	UNIT	PRODUCT PART NUMBERS
			DIN 30D 481024 (SPDT)

INPUT

Control Voltage Range		Vdc	18-24
Control Current Range		mA	1-20
Pick-up Voltage		Vdc	18
Drop-out Voltage		Vdc	10
Input Resistance		KOhms	1.2

OUTPUT

RMS on state Current	I_T	A	10
Mains Control Voltage	V_{rms}	Vac	48-480
Rep Peak Off state Voltage	V_{drm}	Vpk	800
Peak one cycle surge Current (Non-Rep)	I_{TSM}	A	300
On state Voltage Drop	V_{TM}	Vac	1.6
Off state Leakage current	I_{drm}	mA	5
Zero T-On Voltage	Z_{vs}	Vpk	25
Critical Rate of Rise Off state Voltage	dv/dt	V/ μ s	300
Holding Current	I_H	mA	50
Fusing Current	I^2T	A ² s	510
Thermal Resistance	R_{TH}	°C/W	2.35
Turn-On [Zero/Random]	T-On	ms	10/0.1
Turn-Off [Zero/Random]	T-Off	ms	10
Frequency Range	f	Hz	47~63
Operating Temp	T Oper	°C	-30 to +80

