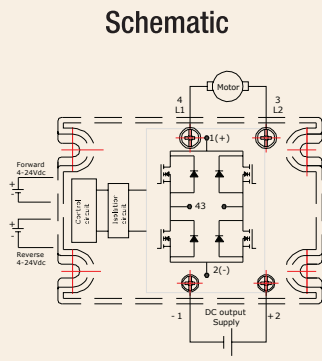


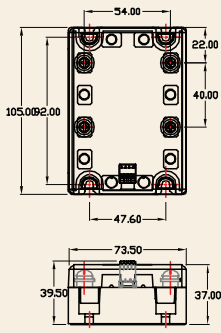
Series: 012 RKDD

**DC SSR (60~200 VDC)
25 Amps**

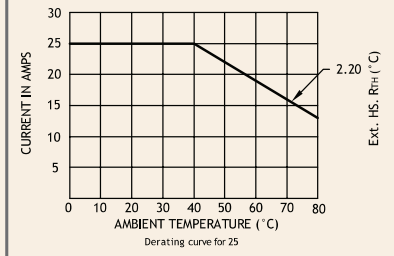
INPUT : DC Control
OUTPUT : Power MOSFET



Mechanical Drawing



Derating Curve



Salient Features

- MOSFET Output Wired in H-Bridge Configuration
- Input Control for Forward and Reverse Application
- LED indication for the Operating Modes
- Built-in Interlock for Forward/Reverse Function
- Available in Compact Size

ELECTRICAL SPECIFICATION @ TA = 25°C			PRODUCT PART NUMBERS	
PARAMETER	SYMBOL	UNIT	012 RKDD 202524	012 RKDD 202500

INPUT

Control Voltage Range		Vdc	12-24	4-32
Control Current Range		mA	15-25	15-25
Pick-up Voltage		Vdc	12	4.0
Drop-out Voltage		Vdc	1.0	1.0
Input Resistance		KOhms	1.0	1.0

OUTPUT

Load Current	I_T	A	25	25
Load Voltage	V_{rms}	Vdc	200	200
Surge Current (Non-Rep)	I_{TSM}	A	200	200
On state Voltage Drop	V_T	Vdc	1.6	1.6
Off state leakage	I_{drm}	mA	12	12
Current@ rated Voltage				
Thermal Resistance	R_{TH}	°C/W	1.25	1.25
Turn-On	T-on	µs	600	600
Turn -Off	T-off	µs	2600	2600
Operating Temp	T Oper	°C	-30 to +80	-30 to +80

