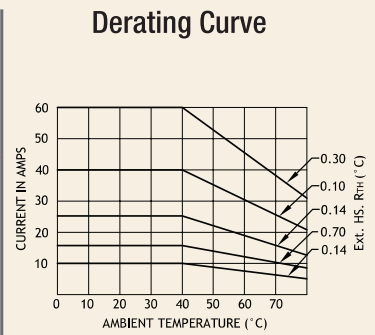
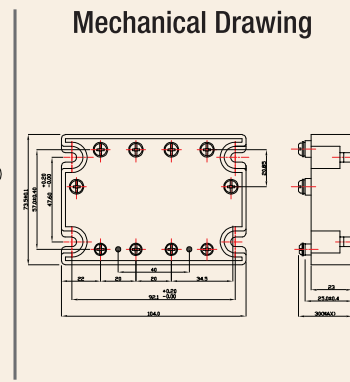
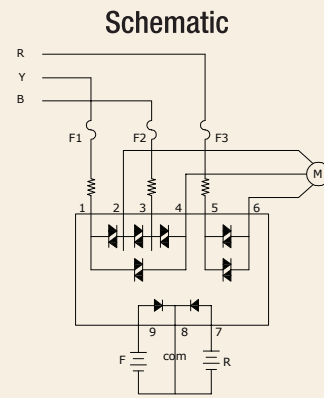


## Series: 012 RJ/K

**3Ph Motor Reversing SSR (480VAC)  
10~60Amps**

INPUT : DC Control  
OUTPUT : Triac



### Salient Features

- Opto Isolation 4000 VAC • Zero Voltage Turn On/Random Turn On • Input Control DC • Built-In Interlock for Motor Protection
- Upto 7.5 KW Motor • 3 Independent Switches

ELECTRICAL SPECIFICATION @ TA = 25°C			NOTE: FOR RANDOM T-ON SSR, ADD LETTER 'K' IN PLACE OF 'J'				
PARAMETER	SYMBOL	UNIT	PRODUCT PART NUMBERS				
			<b>012 RJDA 481000 (6S)</b>	<b>012 RJDA 481600 (6S)</b>	<b>012 RJDA 482500 (6S)</b>	<b>012 RJDA 484000 (6S)</b>	<b>012 RJDA 486000 (6S)</b>

### INPUT

PARAMETER	SYMBOL	UNIT	012 RJDA 481000 (6S)	012 RJDA 481600 (6S)	012 RJDA 482500 (6S)	012 RJDA 484000 (6S)	012 RJDA 486000 (6S)
Control Voltage Range		Vdc	3-32	3-32	3-32	3-32	3-32
Control Current Range		mA	80	80	80	80	80
Pick-up Voltage		Vdc	3.0	3.0	3.0	3.0	3.0
Drop-out Voltage		Vdc	1.0	1.0	1.0	1.0	1.0
Input Resistance		KOhms	0.4	0.4	0.4	0.4	0.4

### OUTPUT

PARAMETER	SYMBOL	UNIT	012 RJDA 481000 (6S)	012 RJDA 481600 (6S)	012 RJDA 482500 (6S)	012 RJDA 484000 (6S)	012 RJDA 486000 (6S)
RMS on state Current	IT	A	10	16	25	40	60
Mains Control Voltage	Vrms	Vac	48-480	48-480	48-480	48-480	48-480
Rep Peak Off state Voltage	Vdrm	Vpk	800	800	800	800	800
Peak one cycle surge Current (Non-Rep)	ITSM	A	100	160	250	400	750
On state Voltage Drop	V <sub>TM</sub>	Vac	1.6	1.6	1.6	1.6	1.6
Off state Leakage current	I <sub>drm</sub>	mA	5	5	5	5	5
Zero T-On Voltage		Vpk	25	25	25	25	25
Critical Rate of Rise Off state Voltage	dv/dt	V/μs	400	400	500	500	500
Holding Current	I <sub>H</sub>	mA	50	50	75	80	100
Fusing Current	I <sup>2</sup> T	A <sup>2</sup> s	55	144	340	880	2800
Thermal Resistance	R <sub>TH</sub>	°C/W	2.4	2.1	0.9	0.6	0.6
Turn-On [Zero/Random]	T-On	ms	10/0.1	10/0.1	10/0.1	10/0.1	10/0.1
Turn-Off [Zero/Random]	T-Off	ms	10	10	10	10	10
Frequency Range	f	Hz	47~63	47~63	47~63	47~63	47~63
Operating Temp	T Oper	°C	-30 to +80	-30 to +80	-30 to +80	-30 to +80	-30 to +80

